

1

2

3

4

5

6

A

A

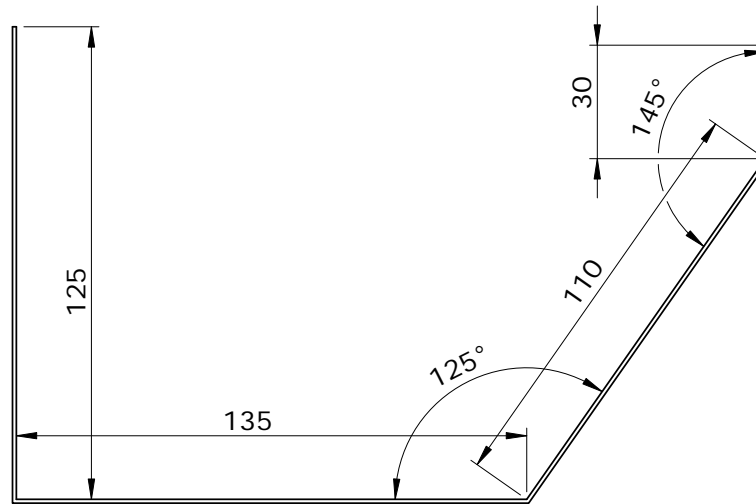
B

B

C

C

D



ALL DIMENSIONS ARE INTERNAL

TOLERANCES (UNO)			ALL DIMENSIONS IN MM		TITLE: 6" Bevel Gutter	
DRAWN	SG	DATE 06/07/2015	MATERIAL:		CUSTOMER	PART NO.
APPV'D			THICKNESS			
MFG			QUANTITY			
 <b>DUGGAN</b> DUGGAN PROFILES & STEEL SERVICE CENTRE Ltd.					DWG NO.	
					Rev	
			SCALE:1:2		SHEET 1 OF 1	

1

2