

1 2 3 4 5 6

A

A

B

B

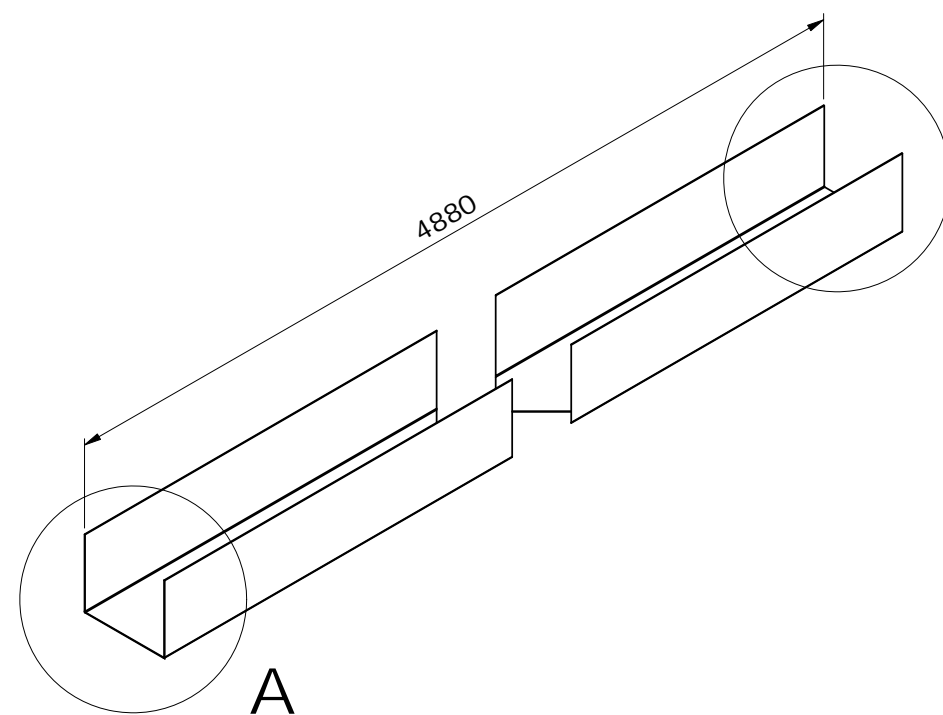
C

C

D

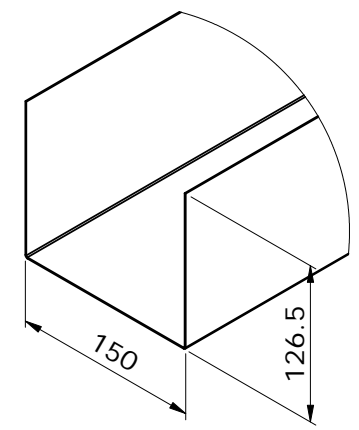
1

2

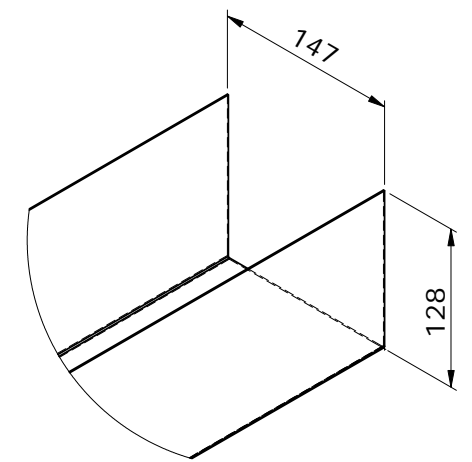


B

A



DETAIL A
SCALE 1 : 5



DETAIL B
SCALE 1 : 5

ALL DIMENSIONS ARE EXTERNAL DIMENSIONS
STRIP WIDTH 400MM

TOLERANCES (UNO)			ALL DIMENSIONS IN MM		TITLE: 150MM BOX GUTTER	
DRAWN	SG	DATE 04/06/2015	MATERIAL:		CUSTOMER	PART NO.
APPV'D			THICKNESS	1	DUGGAN PROFILES	
MFG			QUANTITY		DWG NO.	Rev
<p>DUGGAN PROFILES & STEEL SERVICE CENTRE Ltd.</p>					SCALE:1:10	
					SHEET 1 OF 1	