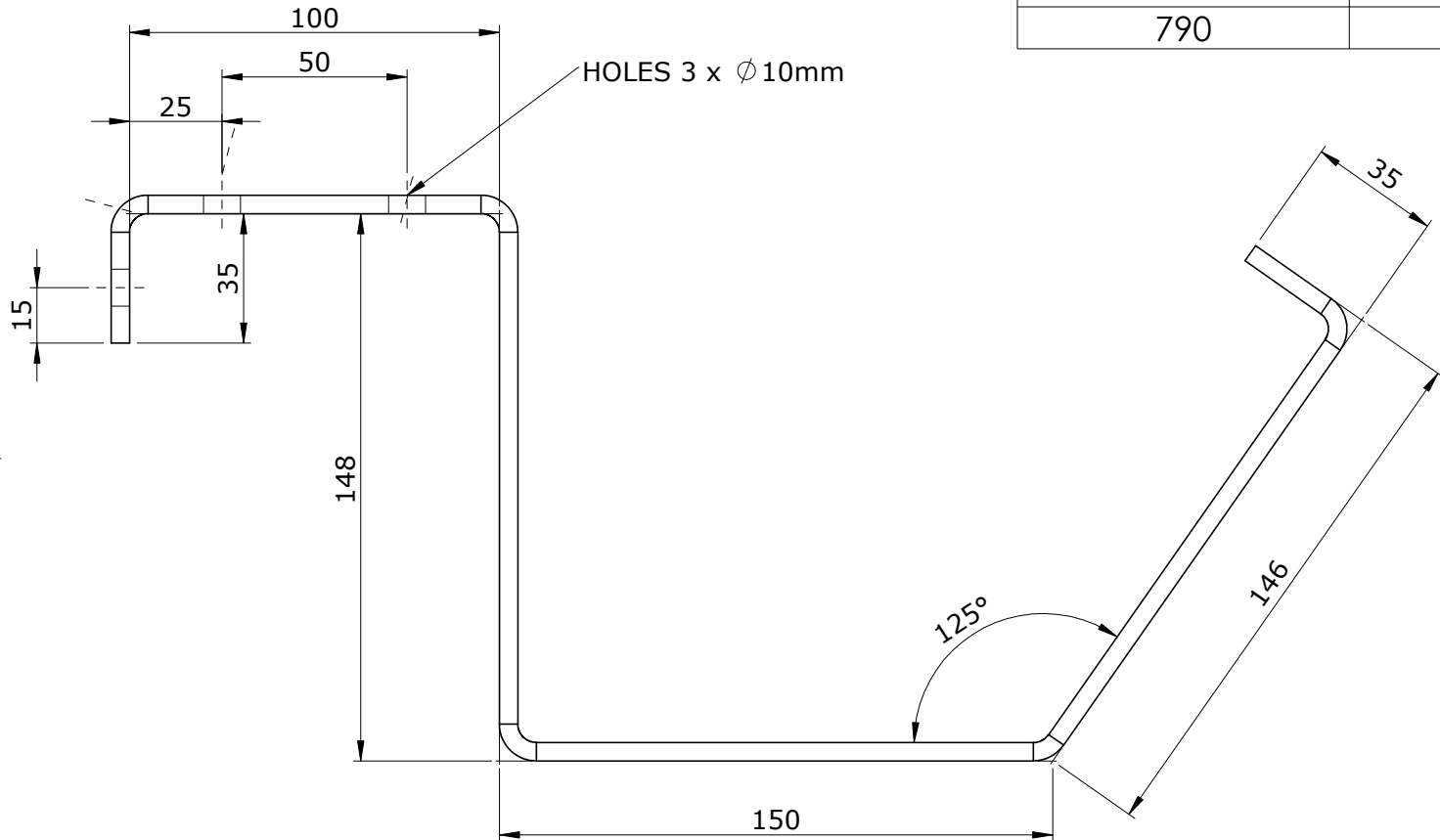


SEQ 11		
BACK	PROG	FWD
820	35	2006
1530	36	2004
3620	37	2006
2210	38	1960
790	39	2010

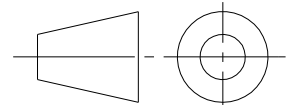


MATERIAL WIDTH: 30
GIRTH 592

TOLERANCES (UNO)			ALL DIMENSIONS IN MM	
DRAWN	SG	DATE	GRADE	MATERIAL:
APPV'D		09/04/2015	THICKNESS	Galvanized Steel
MFG			QUANTITY	5

TITLE: D150 Bracket

CUSTOMER: PART NO.:



DWG NO. Rev
SCALE:1:2 SHEET 9 OF 13