

1 2 3 4 5 6

A

A

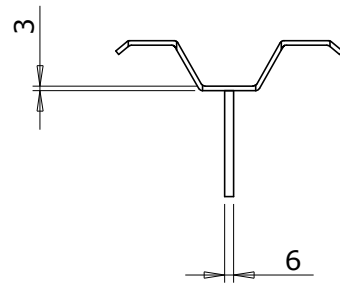
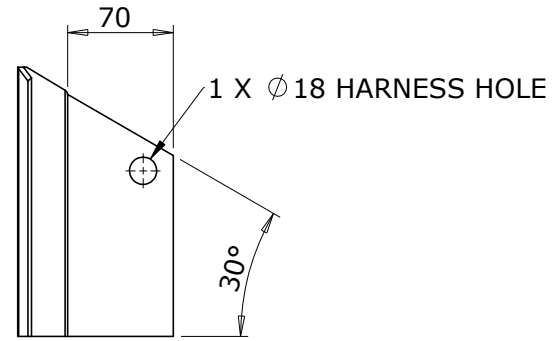
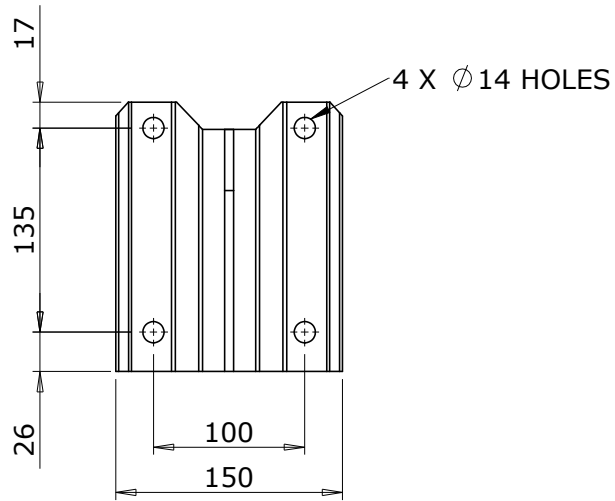
B

B

C

C

D



TOLERANCES (UNO)			ALL DIMENSIONS IN MM		TITLE: 175 STIFFENED WELD ON CLEAT	
DRAWN	SG	DATE 17/11/2008	MATERIAL:	MILD STEEL	CUSTOMER	
APPV'D			GRADE	S275	DUGGAN PROFILES	
MFG			THICKNESS		PART NO.	
			QUANTITY		DWG NO. DP-CLW175S	
					Rev	
<p>DUGGAN PROFILES & STEEL SERVICE CENTRE Ltd.</p>					SCALE:1:5	

1 2