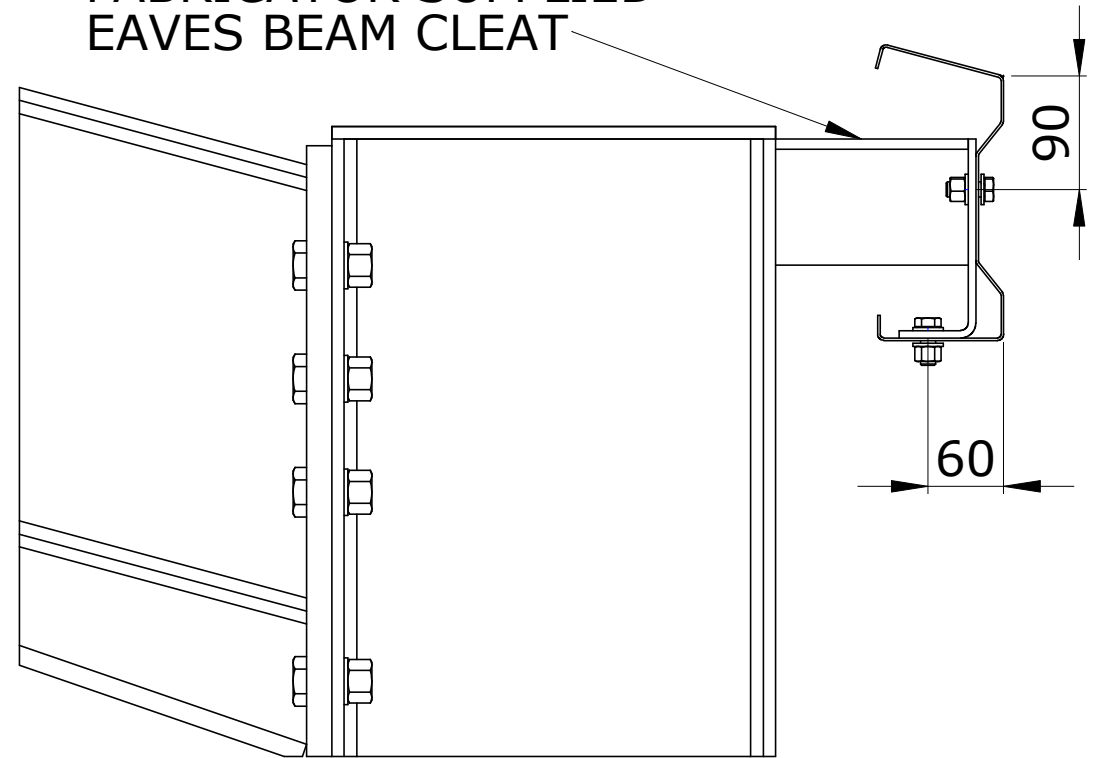
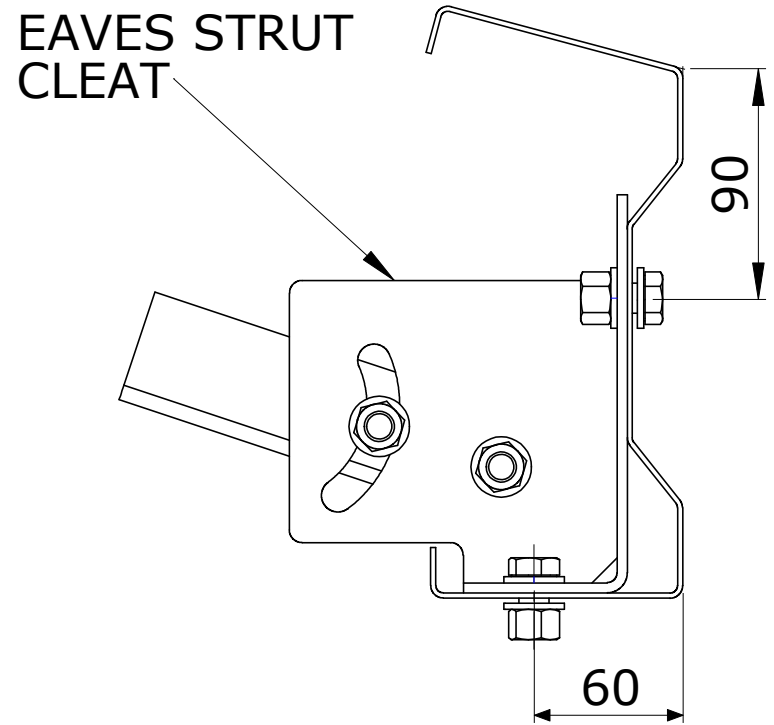
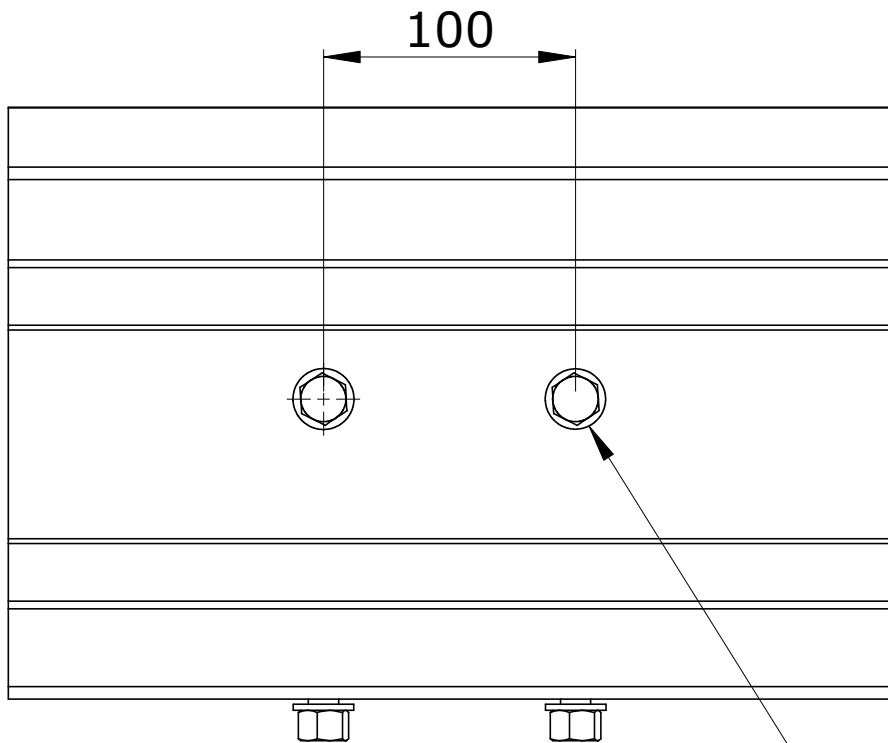


FABRICATOR SUPPLIED
EAVES BEAM CLEAT





4 X 14mm HOLES
FOR ANTI SAG SUPPORT