

1 2 3 4 5 6

A

B

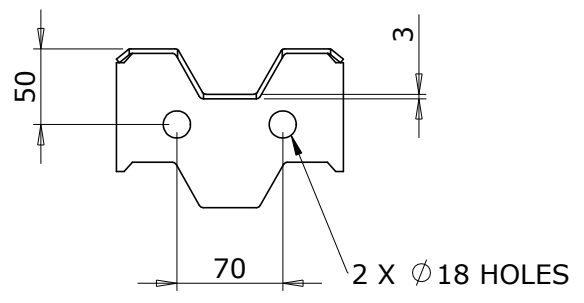
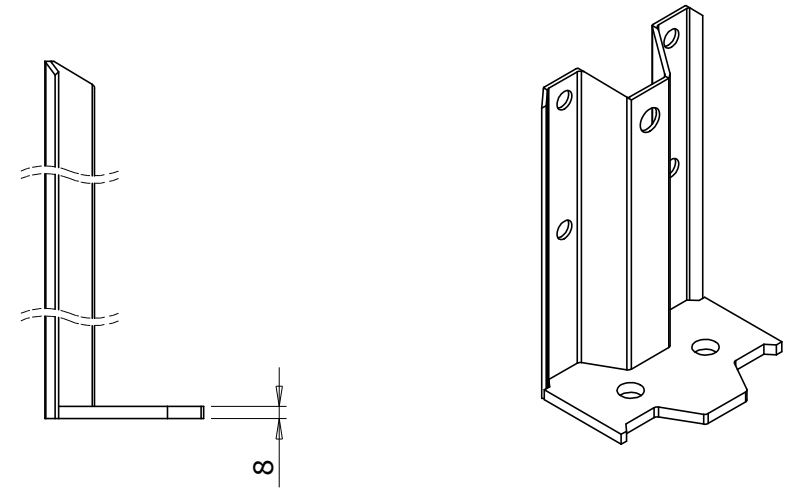
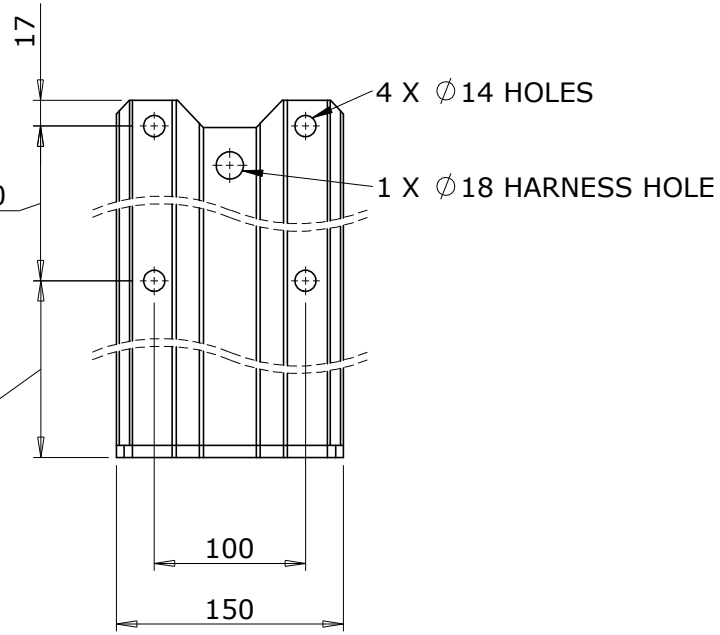
C

D

A

B

C



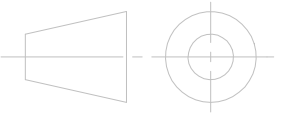
PRODUCT CODE	DEXCRIPTION
DP-CLB145LU	145 EXTENDED BOLT ON CLEAT UNPAINTED
DP-CLB175LU	175 EXTENDED BOLT ON CLEAT UNPAINTED
DP-CLB205LU	205 EXTENDED BOLT ON CLEAT UNPAINTED
DP-CLB235LU	235 EXTENDED BOLT ON CLEAT UNPAINTED
DP-CLB265LU	265 EXTENDED BOLT ON CLEAT UNPAINTED
DP-CLB300LU	300 EXTENDED BOLT ON CLEAT UNPAINTED
DP-CLB325LU	325 EXTENDED BOLT ON CLEAT UNPAINTED

TOLERANCES (UNO)			ALL DIMENSIONS IN MM	
DRAWN	SG	DATE	GRADE	MATERIAL:
		17/11/2008	S275	MILD STEEL
APPV'D			THICKNESS	
MFG			QUANTITY	

TITLE: TYPICAL EXTENDED BOLT ON CLEAT UNPAINTED

CUSTOMER: DUGGAN PROFILES

PART NO.:



DWG NO.:

SCALE:1:5

Rev

1 2