

1 2 3 4 5 6

A

A

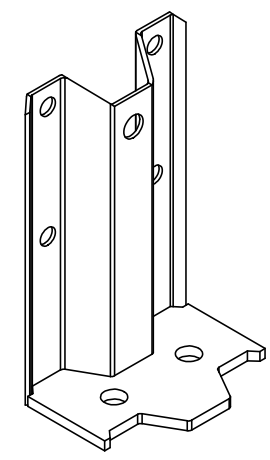
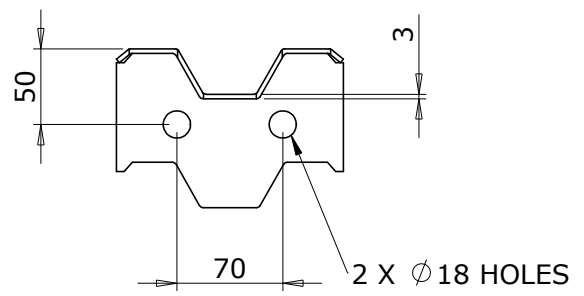
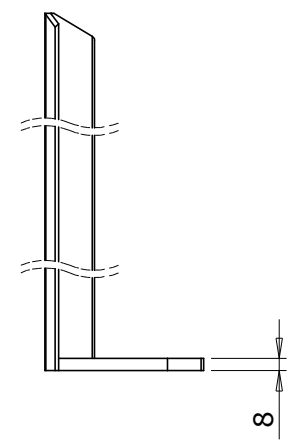
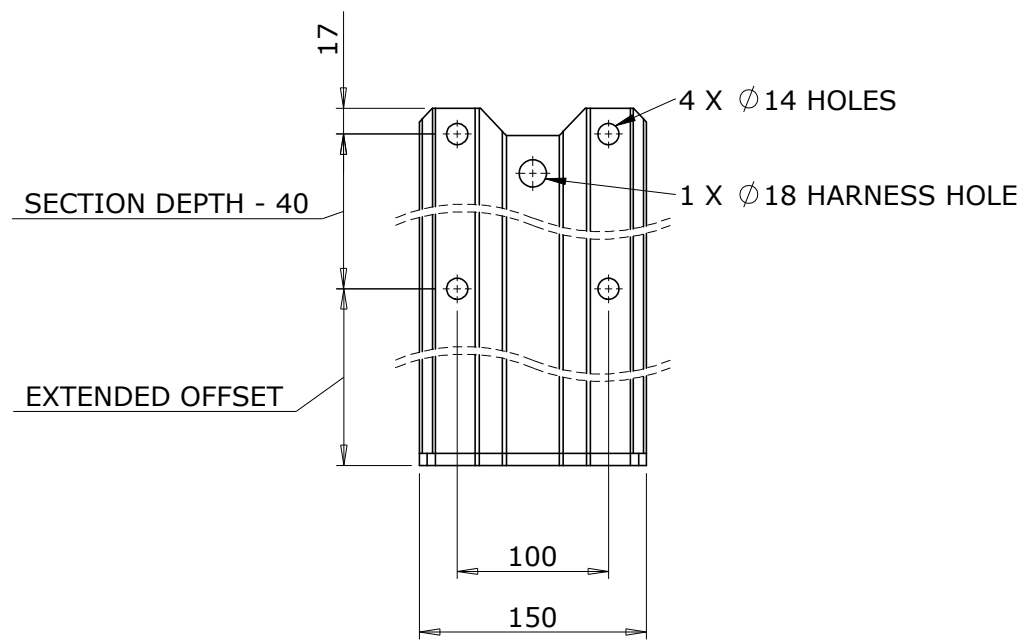
B

B

C

C

D

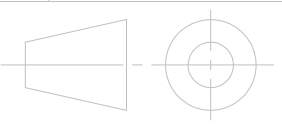


PRODUCT CODE	DEXCRIPTION
DP-CLB145L	145 EXTENDED BOLT ON CLEAT
DP-CLB175L	175 EXTENDED BOLT ON CLEAT
DP-CLB205L	205 EXTENDED BOLT ON CLEAT
DP-CLB235L	235 EXTENDED BOLT ON CLEAT
DP-CLB265L	265 EXTENDED BOLT ON CLEAT
DP-CLB300L	300 EXTENDED BOLT ON CLEAT
DP-CLB325L	325 EXTENDED BOLT ON CLEAT

TOLERANCES (UNO)			ALL DIMENSIONS IN MM	
DRAWN	SG	DATE 17/11/2008	MATERIAL:	MILD STEEL
APPV'D			GRADE	S275
MFG			THICKNESS	
			QUANTITY	

TITLE: TYPICAL EXTENDED BOLT ON CLEAT

CUSTOMER: DUGGAN PROFILES PART NO.



DWG NO. Rev
SCALE:1:5

1 2