

1 2 3 4 5 6

A

A

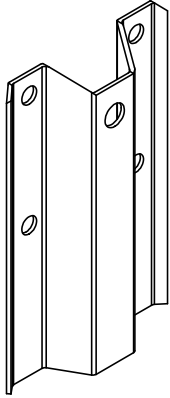
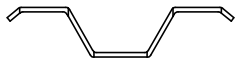
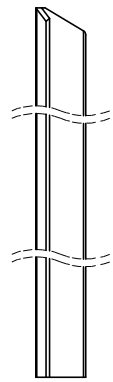
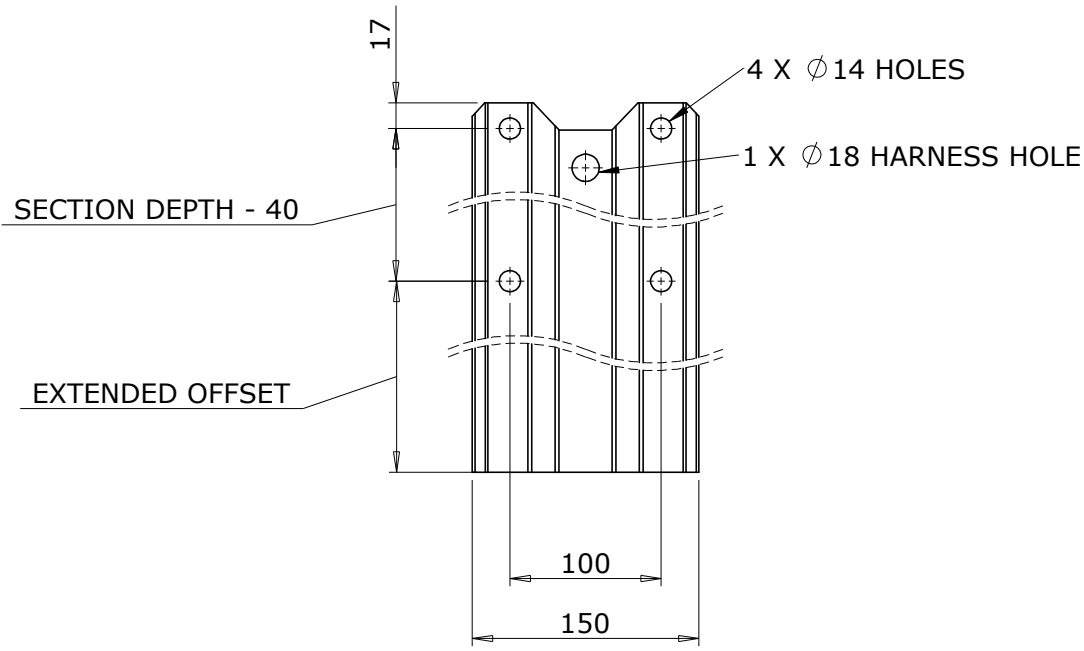
B

B

C

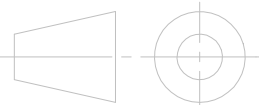
C

D



PRODUCT CODE	DESCRIPTION
DP-CLW145L	145 EXTENDED WELD ON CLEAT
DP-CLW175L	175 EXTENDED WELD ON CLEAT
DP-CLW205L	205 EXTENDED WELD ON CLEAT
DP-CLW235L	235 EXTENDED WELD ON CLEAT
DP-CLW265L	265 EXTENDED WELD ON CLEAT
DP-CLW300L	300 EXTENDED WELD ON CLEAT
DP-CLW325L	325 EXTENDED WELD ON CLEAT

TOLERANCES (UNO)			ALL DIMENSIONS IN MM		TITLE: TYPICAL EXTENDED WELD ON CLEAT	
DRAWN	SG	DATE 17/11/2008	MATERIAL:	MILD STEEL	CUSTOMER	
APPV'D			GRADE	S275	DUGGAN PROFILES	
MFG			THICKNESS		PART NO.	
			QUANTITY		DWG NO.	
					Rev	
					SCALE:1:5	



1 2