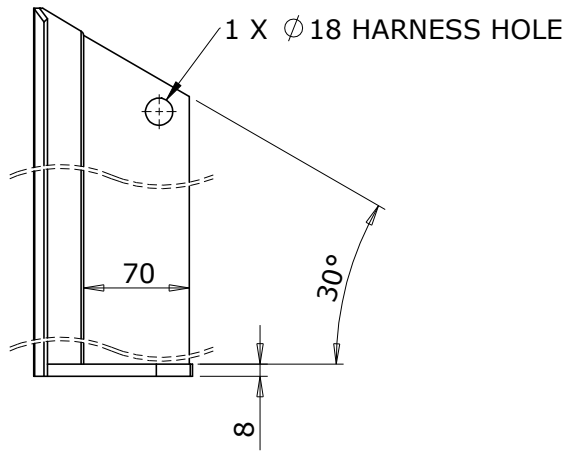
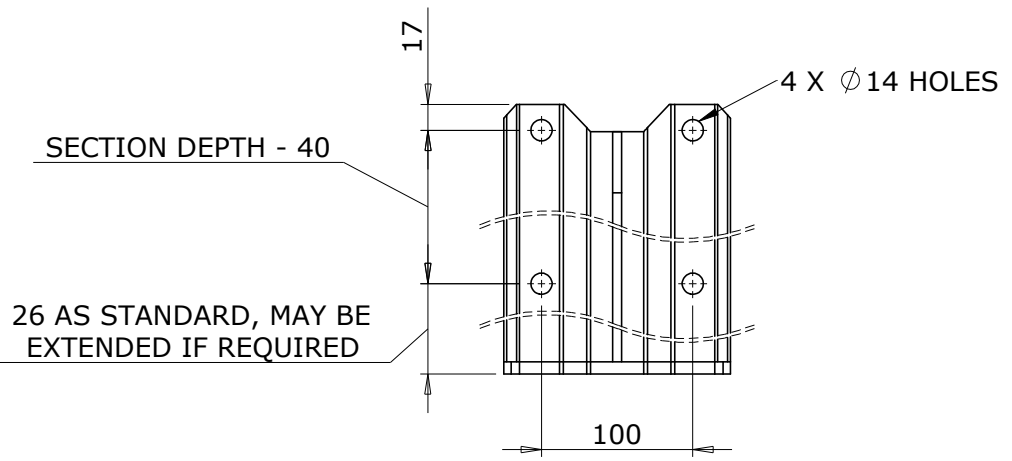


1 2 3 4 5 6

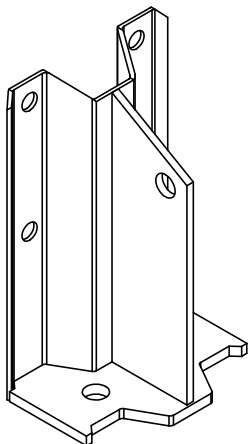
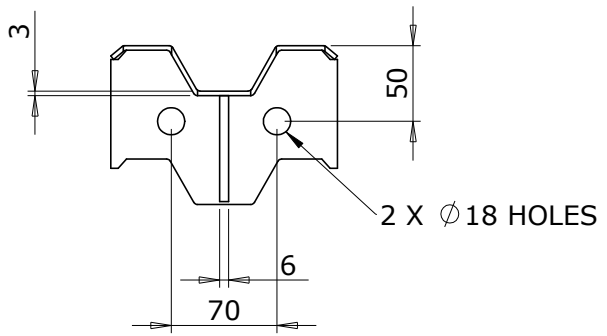
A

A



B

B



C

C

D

TOLERANCES (UNO)			ALL DIMENSIONS IN MM		TITLE: TYPICAL STIFFENED BOLT ON CLEAT UNPAINTED	
DRAWN	SG	DATE 17/11/2008	MATERIAL:	MILD STEEL	CUSTOMER	PART NO.
APPV'D			GRADE	S275	DUGGAN PROFILES	
MFG			THICKNESS			
			QUANTITY			
 DUGGAN DUGGAN PROFILES & STEEL SERVICE CENTRE Ltd.					DWG NO.	
					Rev	
					SCALE:1:5	

1 2