

1 2 3 4 5 6

A

B

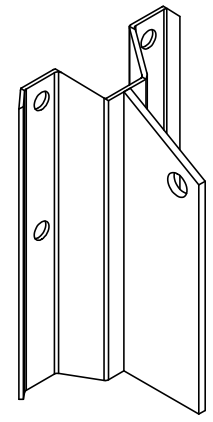
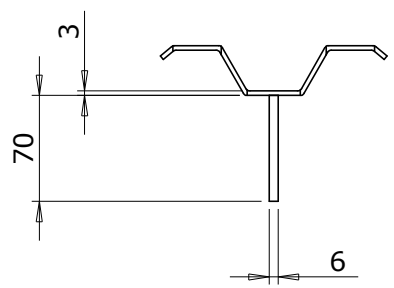
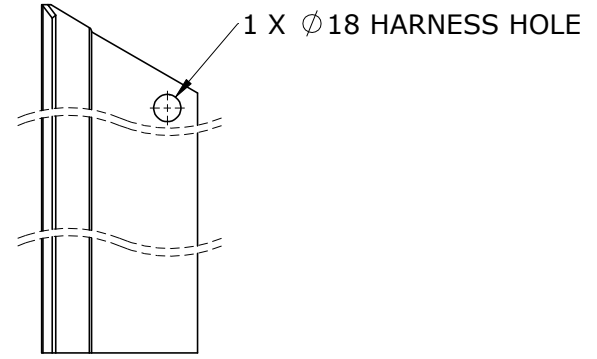
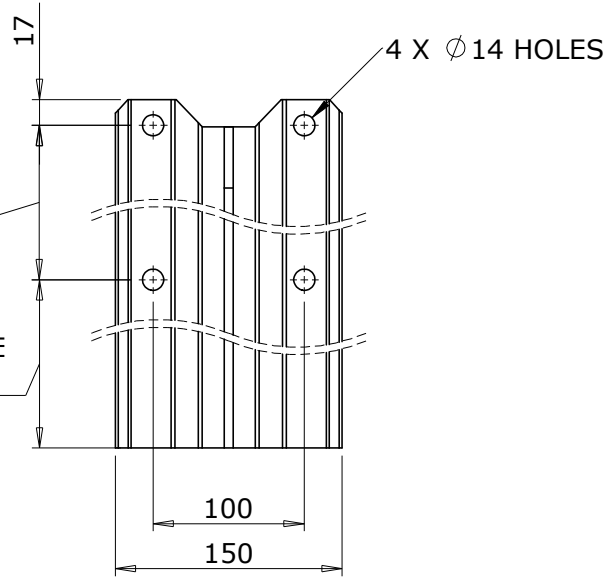
C

D

A

B

C



TOLERANCES (UNO)			ALL DIMENSIONS IN MM		TITLE: TYPICAL STIFFENED WELD ON CLEAT	
DRAWN	SG	DATE 17/11/2008	MATERIAL:	MILD STEEL	CUSTOMER	PART NO.
APPV'D			GRADE	S275	DUGGAN PROFILES	
MFG			THICKNESS			
			QUANTITY			
 DUGGAN DUGGAN PROFILES & STEEL SERVICE CENTRE Ltd.					DWG NO.	
					Rev	
			SCALE:1:5			

1 2